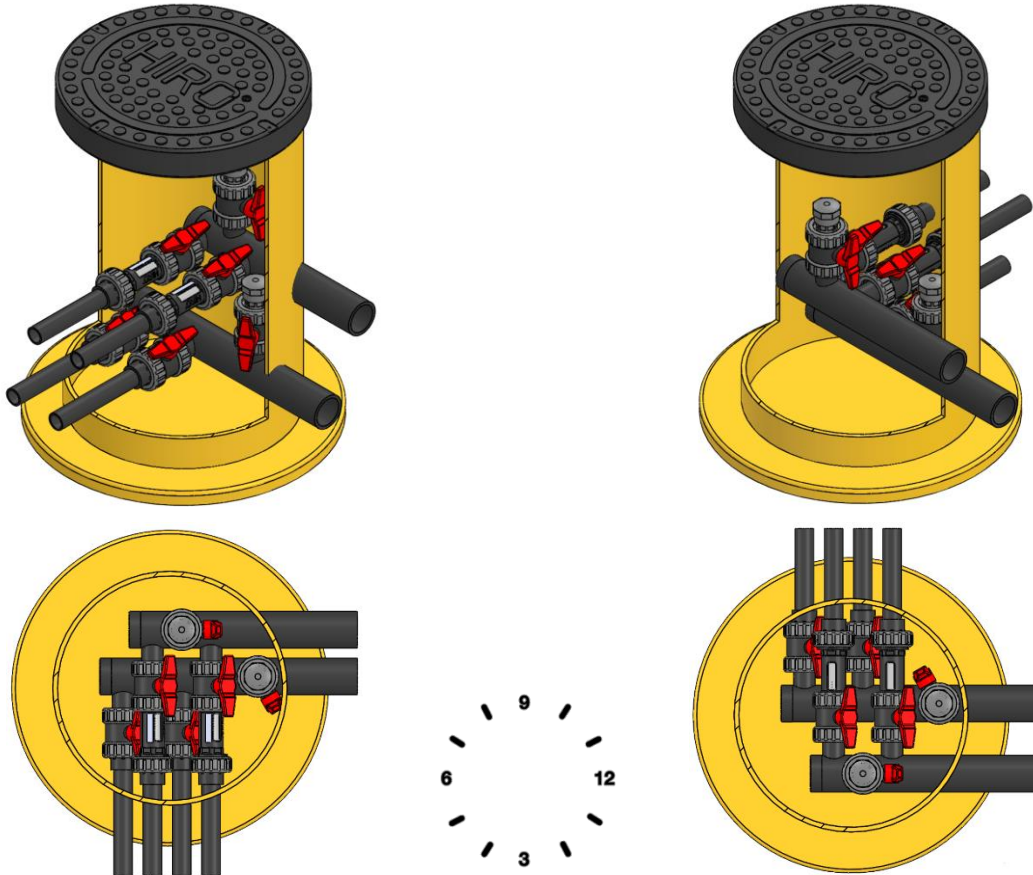


CHAMBER XXS

Height [mm]	684
Footprint [mm]	Ø540



Probe diameter OD 32

1-9-2-32-63-0-63-3-2-9-0

1-9-2-32-63-0-63-3-0-9-2

Probe diameter OD 40

1-9-2-40-63-0-63-3-2-9-0

1-9-2-40-63-0-63-3-0-9-2

TECHNICAL DATA

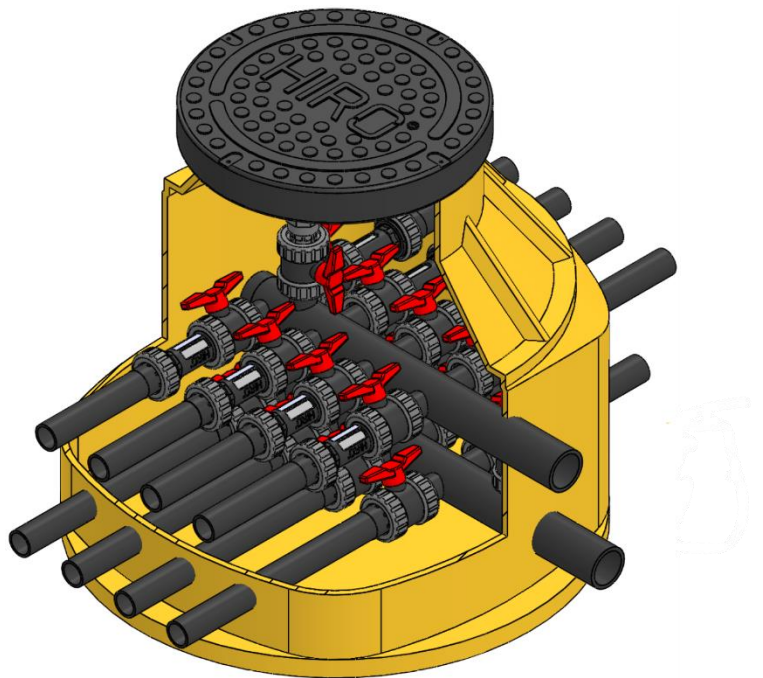
- MANIFOLD OD 63, PE100 RC pipe SDR11 PN16
- 2 brine circuits with individual isolation valve (PVC ball valve DN 25 with EPDM seals)
- Probe diameter OD 32 or 40
- Probe to probe distance 100 mm
- Flow meter DN 25 in selectable measuring range options
- Chamber cover DA 400

CHAMBER XS

Height [mm]	684
Footprint [mm]	Ø740

TECHNICAL DATA

- MANIFOLD OD 63, PE100 RC pipe SDR11 PN16
- 2-8 brine circuits with individual isolation valve (PVC ball valve DN 25 with EPDM seals)
- Probe diameter OD 32, 40 or 50
- Probe to probe distance 100 mm
- Flow meter DN 25 in selectable measuring range options
- Optional main isolation AH40 or AH50 for up to 6 brine circuits
- Optional reduction to DA 50 or DA 40 at connection to heat pump
- Chamber cover DA 400



ITEM NUMBERING SYSTEM

