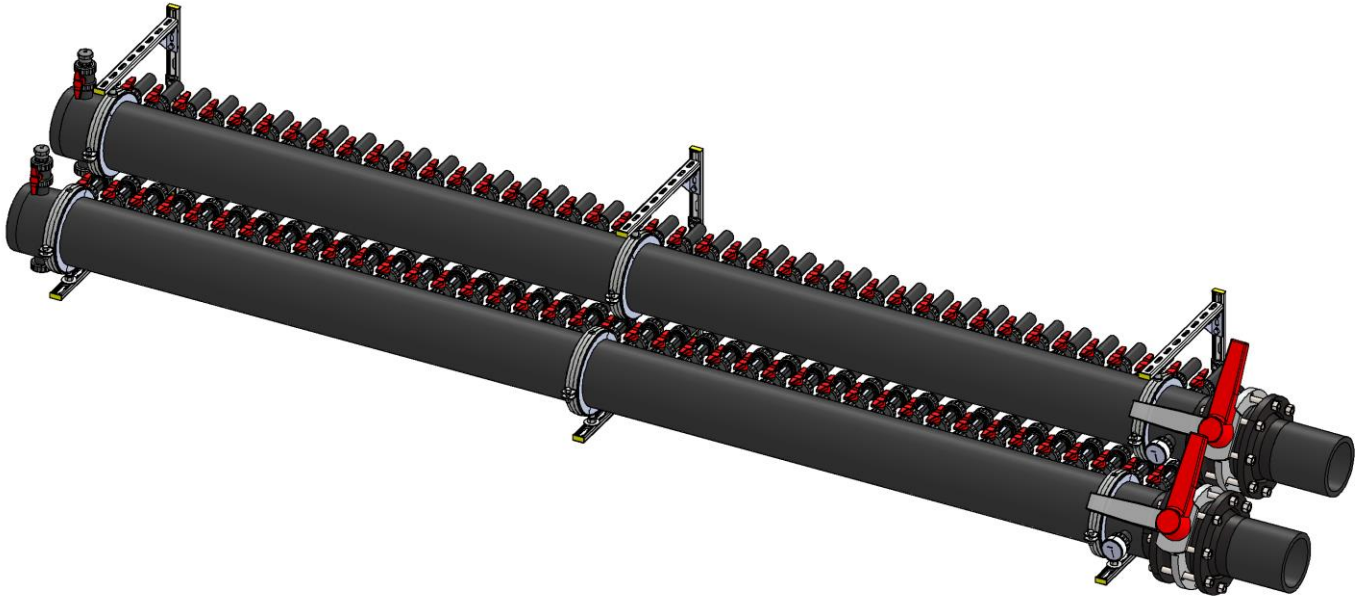


MANIFOLD SERIES S AND K



The HIRO manifold product portfolio is a modular system that comes with a variety of isolation valve assemblies, exactly fitting duct plates, and specific mounting brackets, making it well-suited for a wide range of applications. It is available in two types, Series S and Series K.

The HIRO manifold Series S is designed for use in concrete shafts where space is limited. It features high packing density and operating efficiency.

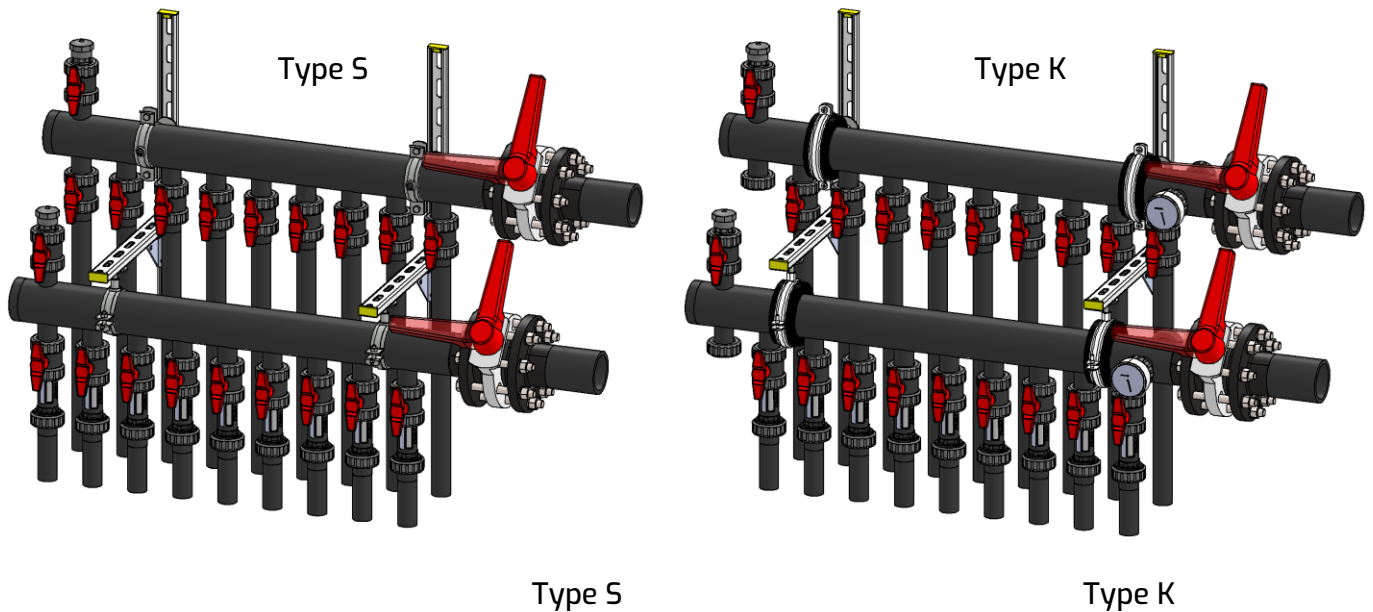
Series K is designed for use in utility rooms. By selecting probe to probe distances of 100 mm, 130 mm, or 150 mm the manifold can be adjusted to specific wall or floor penetration situations. Thermo-manometers in supply and return manifolds allow for easy monitoring of the system. Thanks to dual connectors for filling valves and thermo-manometers, the installation position is freely selectable (connecting left/right, up/down) with one manifold type).

All manifolds can be fastened on accurately fitting wall mount and floor mount brackets that are ready for connection. For our type K we offer cold-insulated pipe clamps, which have been specifically modified to fit into narrow probe gaps. Therefore, the manifold can be completely insulated after installation without extra space being required.

ACCESSORIES AND SPECIAL EQUIPMENT

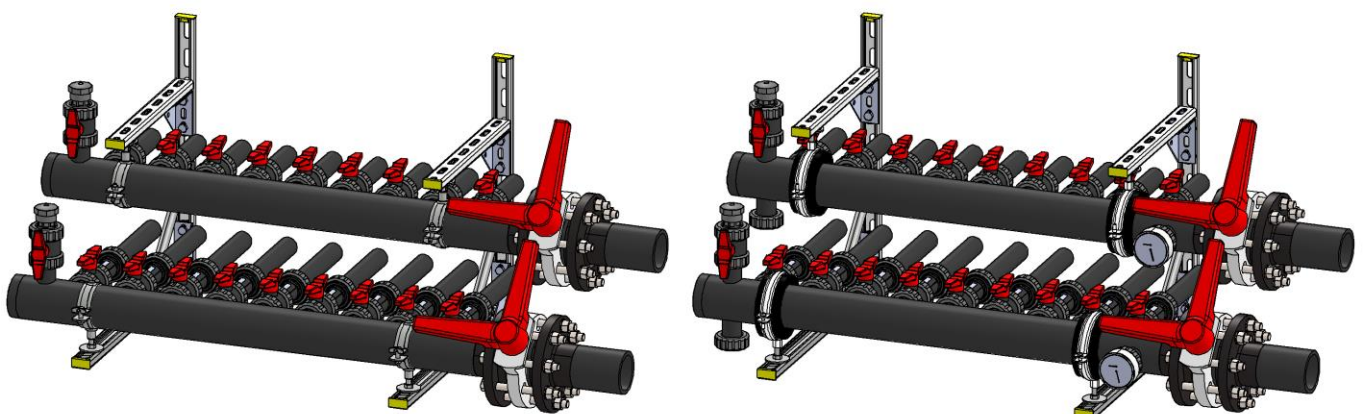
- Floor mount brackets
- Duct plates
- Volumetric flow controller

TECHNICAL DATA



Manifold diameter	OD 63 – 250 PE100 RC pipe SDR11 PN16	
Probe diameter	OD 32, 40 or 50	
Distance between probes	100 mm	100, 130 or 150 mm
Number of brine circuits	freely selectable, for large manifolds intermediate flanges must be used.	
Flow meter	4 – 12 l/min; 9 – 25 l/min or 20 – 60 l/min (further options available upon request)	
Thermo-manometer	No	Yes

MANIFOLD SYSTEM S AND K WITH HORIZONTAL PROBE CONNECTION



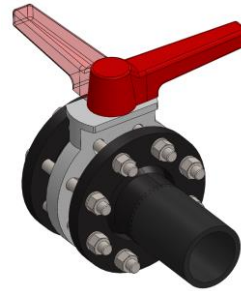
ISOLATION VALVE ASSEMBLIES

HIRO brine manifold systems are shipped ready for connection. For open pipe endings the required insertion depth for jointing electrofusion fittings have been factored in. Isolation valve assemblies can be freely configured to fit different jointing methods used to connect the heat pump.



*open cross-section

Manifold reducing connector	Manifold direct connector	Isolation ball valve	Connection to heat pump
90, 75, 63	-	AH25	40, 32, female thread/male thread 1"
90, 75, 63	-	AH32	50, 40, female thread/male thread 1 ¼"
125, 110, 90, 75	63, 50*	AH40	63, 50, female thread/male thread 1 ½"
140, 125, 110, 90	75, 63*	AH50	75, 63* , female thread/male thread 2"
180, 160, 140, 125, 110	90, 75*	AH65	90, 75* , female thread 2 ½"
180, 160, 140, 125	110, 90*	AH80	110, 90* female thread 3"
180, 160, 140	125, 110*	AH100	125, 110* , 90, female thread 4"

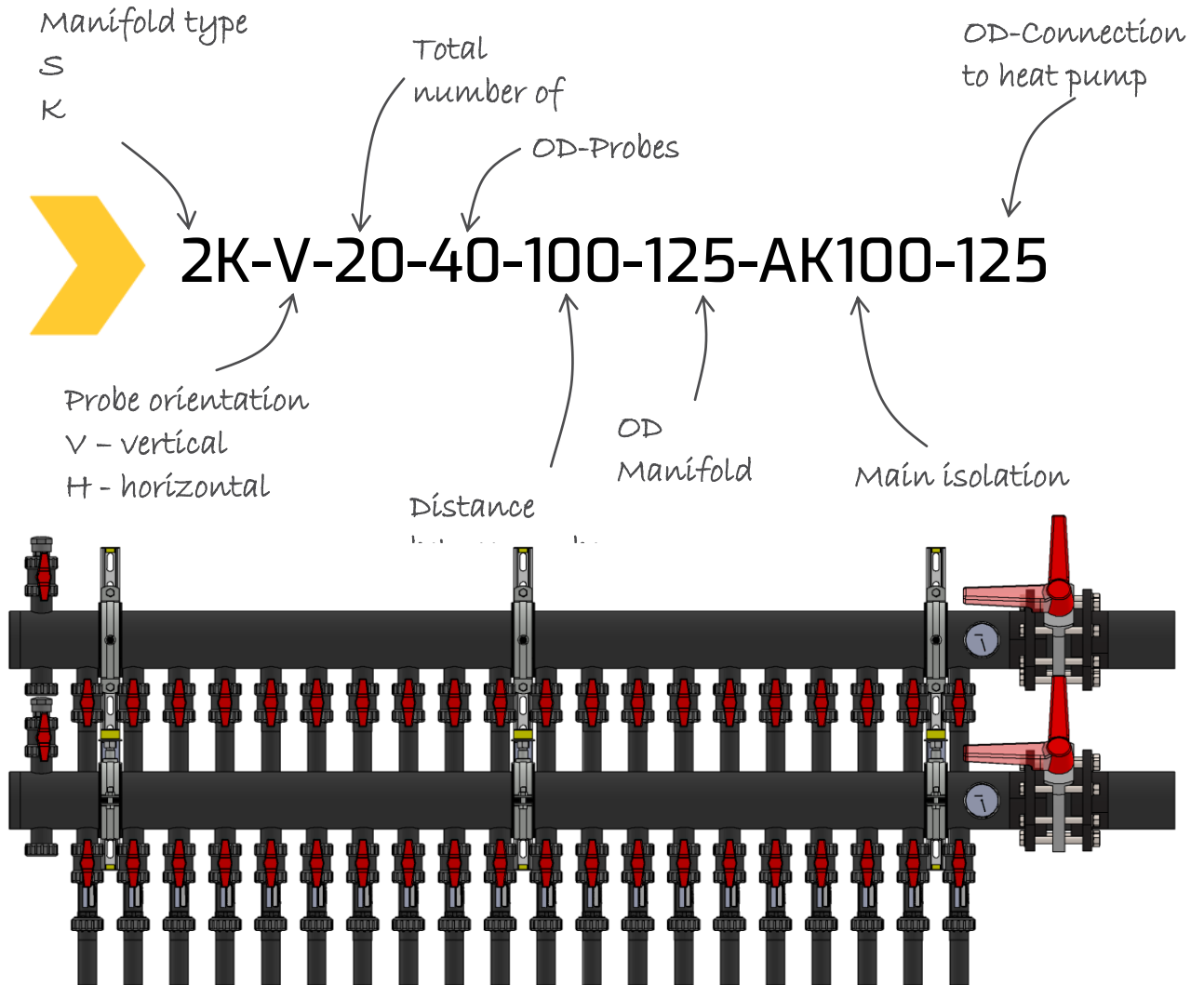


*open cross-section

Manifold reducing connector	Manifold direct connector	Isolation butterfly valve	Connection to heat pump
140, 125, 110, 90	75*	AK65	75*, 63
180, 160, 140, 125, 110	90*, 75	AK80	90*, 75
180, 160, 140	125*, 110	AK100	125*, 110
225, 200, 180, 160	140*	AK125	140*
250, 225, 200	180*, 160	AK150	180*, 160
250	225*, 200	AK200	225*, 200

ITEM NUMBERING SYSTEM

The entire specification of our brine circuits is reflected in the item number.



CUSTOMIZED SOLUTIONS

Based on our standard product range, we can put together cost-efficient end-to-end solutions .

